



## Cross Flow

### AC Cross Flow:

6017 series.....	page 2
6030 series.....	page 3
6036 series.....	page 4
9029 series.....	page 5
9060 series.....	page 6
9439 series.....	page 7
9446 series.....	page 8

### DC Cross Flow:

CDF30B.....	page 9~10
CDF30C.....	page 11~12
CDF40B.....	page 13~14
CDF40C.....	page 15~16
CDF40E.....	page 17
CDF43A.....	page 18~19
CDF50A.....	page 20~21
CDF50B.....	page 22~23
CDF50C.....	page 24
CDF60F.....	page 25~26

Head Office : No. 6-6-3, Gushan 3rd Rd., Gushan District, Kaohsiung City 804, Taiwan (R.O.C.)

Export Dep : Rm 06,B1F., No 321, Dadun 4th St., Nantun Dist., Taichung City 408, Taiwan (R.O.C.)

Head Office Tel : 886-7-532 5777 Fax : 886-7-532 6777 Export Dep : 886-4-24718676

E-mail: [sales@chanyu.com.tw](mailto:sales@chanyu.com.tw)





# 6017 Series



**Frame:** Steel

**Impeller:** Aluminum UL94V-0

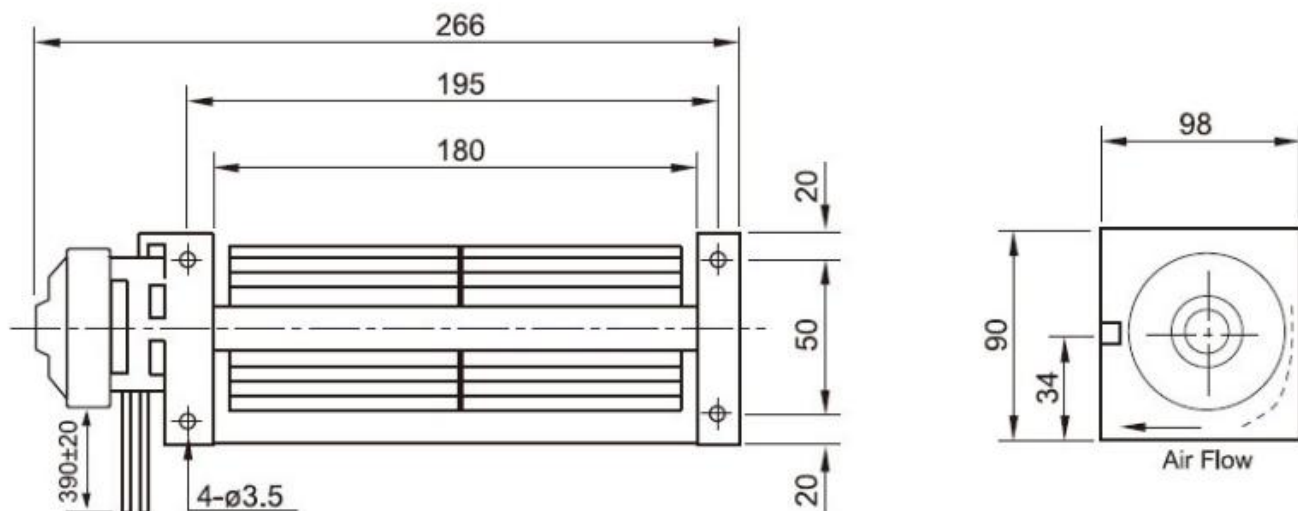
**Ambient Temperature Range:** -10°C ~ +70°C

**Bearing:** Ball bearing

**Motor Structure:** Shaded pole or Capacitor induction

**Package:** 1.6kg / PC

## Dimension (units:mm)



## SPECIFICATION

Model	Voltage (V)	Frequency (Hz)	Power (W)	Current (A)	Speed (RPM)	Air Flow (CFM)	Pressure (mm Aq)	Noise (dB)
CYF16017HB	120	50/60	27/25	0.45/0.42	2400/2500	90/95	3.5/3.7	51/52
CYF16017MB	120	50/60	27/25	0.30/0.28	2350/2000	88/72	3.5/2.8	33/38
CYF26017HB	230	50/60	27/25	0.22/0.2	2300/2400	85/90	3.3/3.5	38/38



# 6030 Series



**Frame:** Steel

**Impeller:** Aluminum UL94V-0

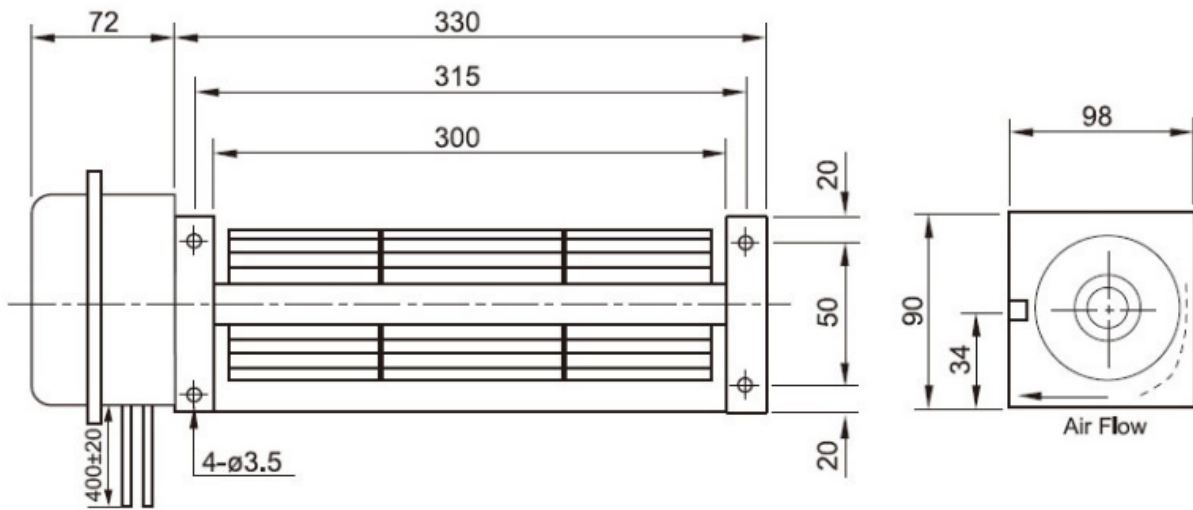
**Ambient Temperature Range:** -10°C ~ +70°C

**Bearing:** Ball bearing

**Motor Structure:** Shaded pole or Capacity induction

**Package:** 2 kg / PC

## Dimension (units:mm)



AC CROSS FLOW FAN

## SPECIFICATION

Model	Voltage (V)	Frequency (Hz)	Power (W)	Current (A)	Speed (RPM)	Air Flow (CFM)	Pressure (mm Aq)	Noise (dB)
CYF16030HB	120	50/60	35/37	0.33/0.33	2600/3000	177/195	5/7.5	50/53
CYF26030HB	230	50/60	35/37	0.17/0.17	2600/3000	177/195	5/7.5	50/53



# 6036 Series



**Frame:** Steel

**Impeller:** Aluminum UL94V-0

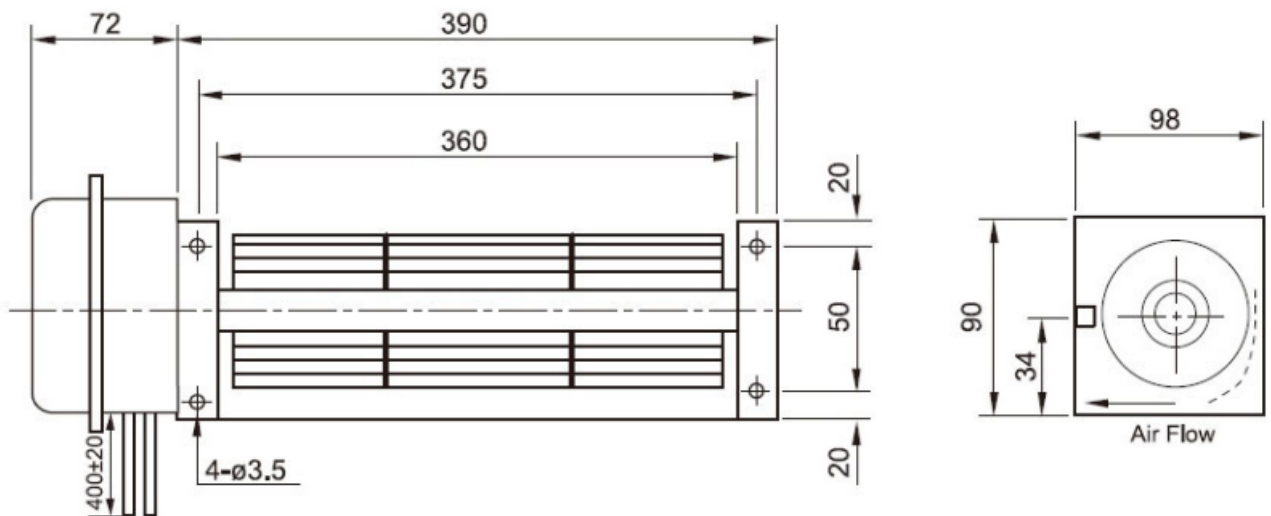
**Ambient Temperature Range:** -10°C ~ +70°C

**Bearing:** Ball bearing

**Motor Structure:** Shaded pole or Capacitor induction

**Package:** 2.1 kg / PC

## Dimension (units:mm)



## SPECIFICATION

Model	Voltage (V)	Frequency (Hz)	Power (W)	Current (A)	Speed (RPM)	Air Flow (CFM)	Pressure (mm Aq)	Noise (dB)
CYF16036HB	120	50/60 Hz	35/37	0.33/0.33	2500/2800	195/212	5/7.5	50/53
CYF26036HB	120	50/60 Hz	35/37	0.17/0.17	2500/2800	195/212	5/7.5	50/53



# 9029 Series



**Frame:** Steel

**Impeller:** Plastic UL94V-0

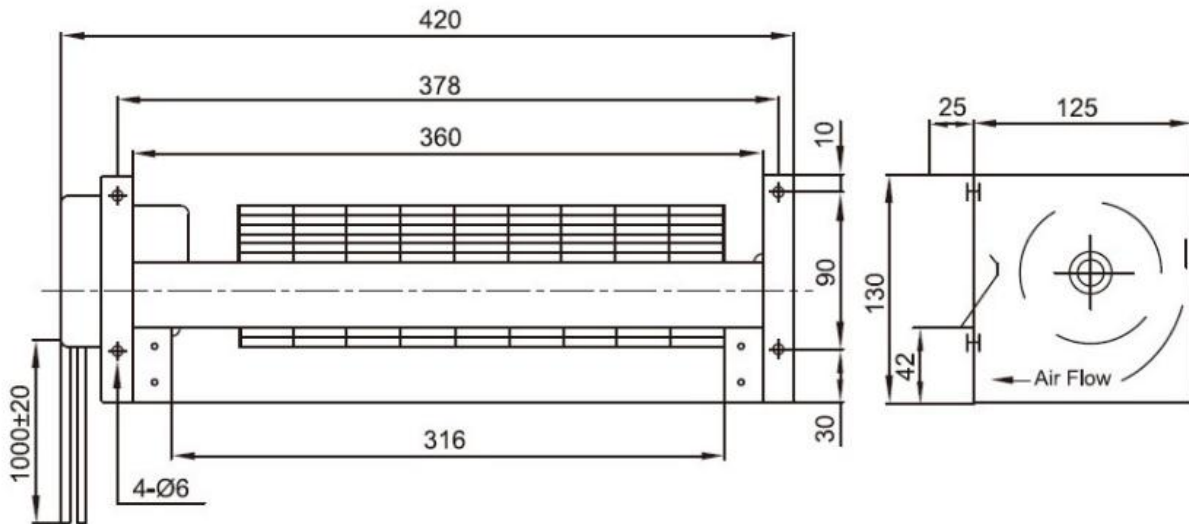
**Ambient Temperature Range:** -10°C ~ +70°C

**Bearing:** Ball bearing

**Motor Structure:** Shaded pole or Capacity induction

**Package:** 3 kg / PC

## Dimension (units:mm)

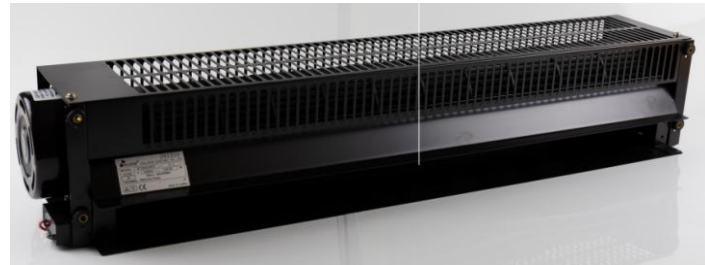


## SPECIFICATION

Model	Voltage (V)	Frequency (Hz)	Power (W)	Current (A)	Speed (RPM)	Air Flow (CFM)	Pressure (mm Aq)	Noise (dB)
CYF19029HB	120	50/60	33/31	0.28/0.27	1350/1560	159/177	2.2/3.3	43/46
CYF29029HB	230	50/60	33/31	0.14/0.13	1350/1560	159/177	2.2/3.3	43/46



# 9060 Series



**Frame:** Steel

**Impeller:** Plastic UL94V-0

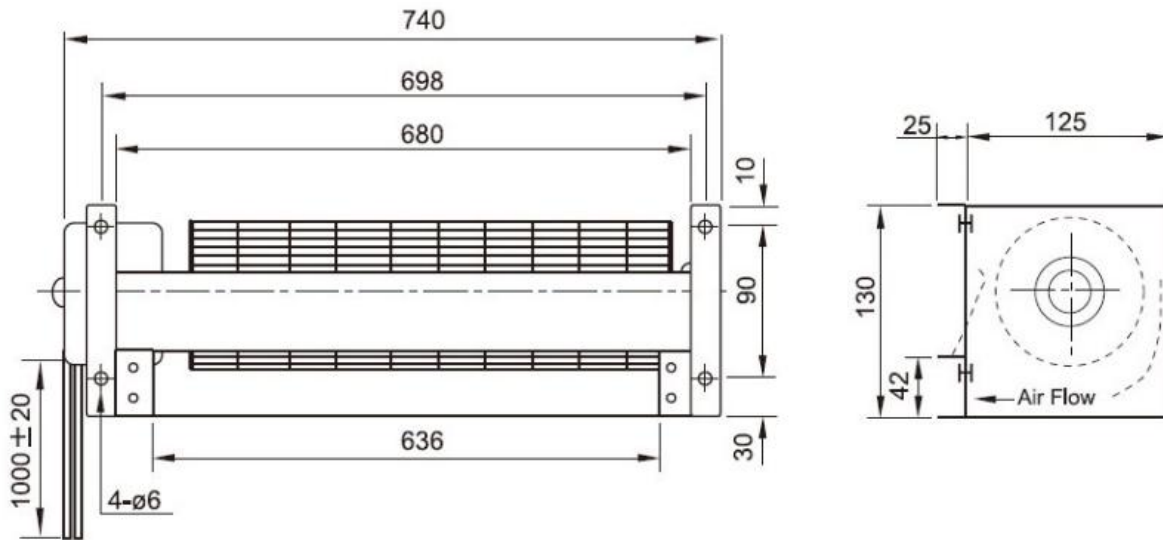
**Ambient Temperature Range:** -10°C ~ +70°C

**Bearing:** Ball bearing

**Motor Structure:** Shaded pole or Capacity induction

**Package:** 6 kg / PC

## Dimension (units:mm)



## SPECIFICATION

Model	Voltage (V)	Frequency (Hz)	Power (W)	Current (A)	Speed (RPM)	Air Flow (CFM)	Pressure (mm Aq)	Noise (dB)
CYF19060HB	120	50/60 Hz	130/160	1/1.25	2150/2100	550/530	9/11	55/54
CYF29060HB	230	50/60 Hz	130/160	0.55/0.7	2150/2100	550/530	9/11	55/54



# 9439 Series



**Frame:** Steel

**Impeller:** Plastic UL94V-0

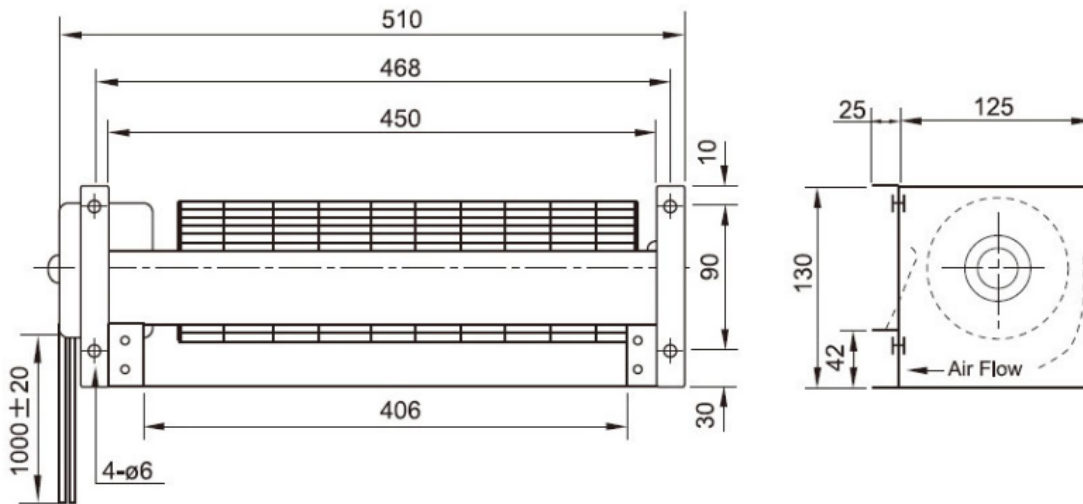
**Ambient Temperature Range:** -10°C ~ +70°C

**Bearing:** Ball bearing

**Motor Structure:** Shaded pole or Capacitor induction

**Package:** 3.5 kg / PC

## Dimension (units:mm)



## SPECIFICATION

Model	Voltage (V)	Frequency (Hz)	Power (W)	Current (A)	Speed (RPM)	Air Flow (CFM)	Pressure (mm Aq)	Noise (dB)
CYF19439HB	120	50/60	43/50	0.4/0.4	1400/1600	265/318	3.5/4.5	48/53
CYF29439HB	230	50/60	43/50	0.2/0.22	1400/1600	265/318	3.5/4.5	48/53





# 9446 Series



**Frame:** Steel

**Impeller:** Plastic UL94V-0

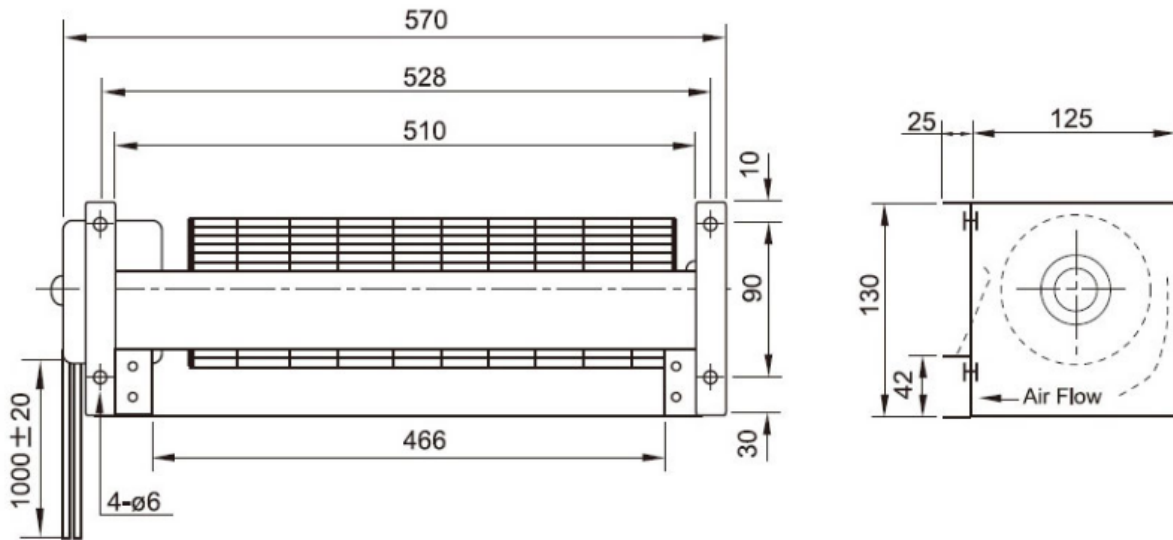
**Ambient Temperature Range:** -10°C ~ +70°C

**Bearing:** Ball bearing

**Motor Structure:** Shaded pole or Capacitor induction

**Package:** 3.6 kg / PC

## Dimension (units:mm)



## SPECIFICATION

Model	Voltage (V)	Frequency (Hz)	Power (W)	Current (A)	Speed (RPM)	Air Flow (CFM)	Pressure (mm Aq)	Noise (dB)
CYF19446HB	120	50/60	43/50	0.4/0.42	1350/1550	300/354	3.5/5	48/53
CYF29446HB	230	50/60	43/50	0.2/0.23	1350/1550	300/354	3.5/5	48/53





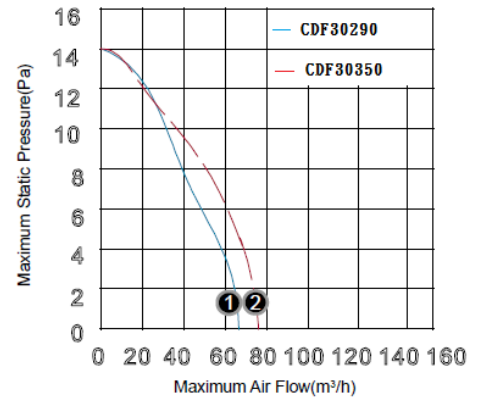
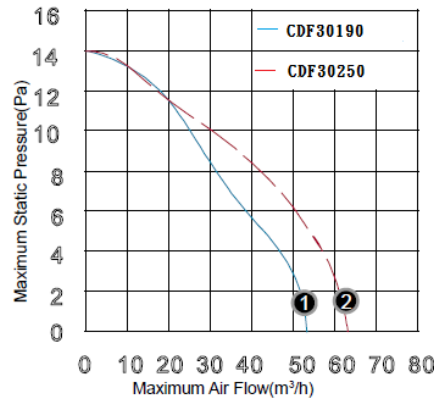
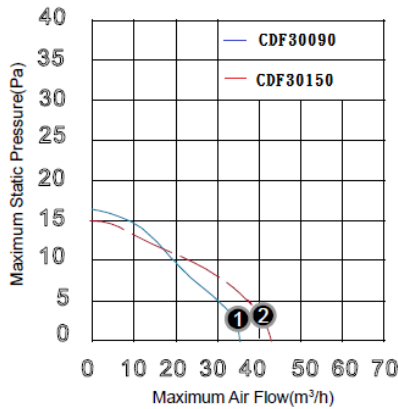
# 30 B Series



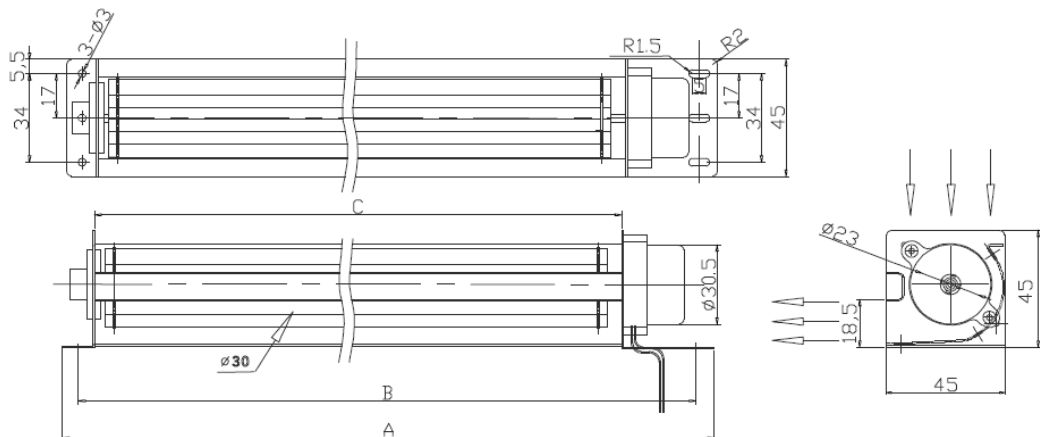
**Motor :** DC Single Phase Brushless Motor

**Material:** Frame: Steel / Impeller: Aluminum alloy

## P-Q Curves



## Drawing:



## SPECIFICATION

Model	Size (mm)			Voltage (V)	Current (A)	Speed (RPM)	Air Flow (CFM)	Pressure (in-H2O)	Noise (dB)
	A	B	C						
CDF1230090BM-B	143	108	98	12	0.10	3000	20.6	0.068	29
CDF2430090BM-B	143	108	98	24	0.05	3000	20.6	0.068	29
CDF1230150BM-B	200	170	160	12	0.12	2800	24.7	0.060	30
CDF2430150BM-B	200	170	160	24	0.07	2800	24.7	0.060	30
CDF1230190BM-B	222	208	198	12	0.14	2700	30.6	0.056	31
CDF2430190BM-B	222	208	198	24	0.08	2700	30.6	0.056	31



# 30 B Series

Model	Size (mm)			Voltage (V)	Current (A)	Speed (RPM)	Air Flow (CFM)	Pressure (in-H <sub>2</sub> O)	Noise (dB)
	A	B	C						
CDF1230250BM-B	293	258	248	12	0.16	2600	38.3	0.056	32
CDF2430250BM-B	293	258	248	24	0.09	2600	38.3	0.056	32
CDF1230290BM-B	341	310	300	12	0.18	2500	42.4	0.052	33
CDF2430290BM-B	341	310	300	24	0.09	2500	42.4	0.052	33
CDF1230350BM-B	390	362	352	12	0.20	2400	49.4	0.052	35
CDF2430350BM-B	390	362	352	24	0.10	2400	49.4	0.052	35

DC Cross Flow Fan



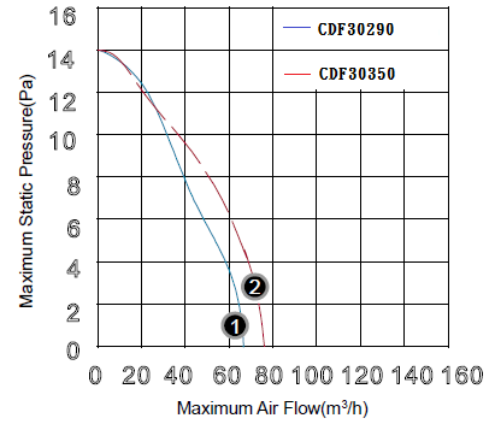
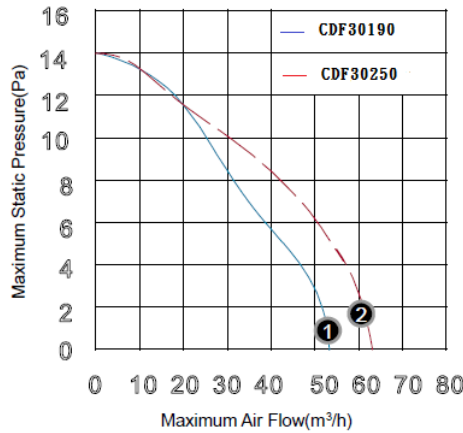
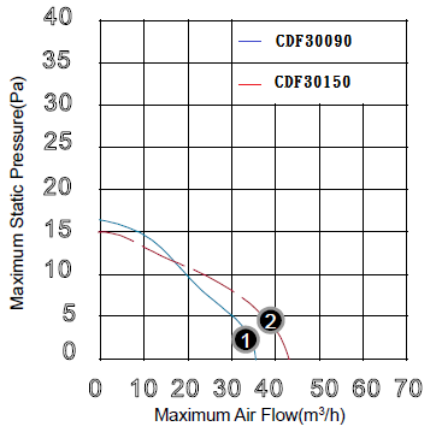
# 30 C Series



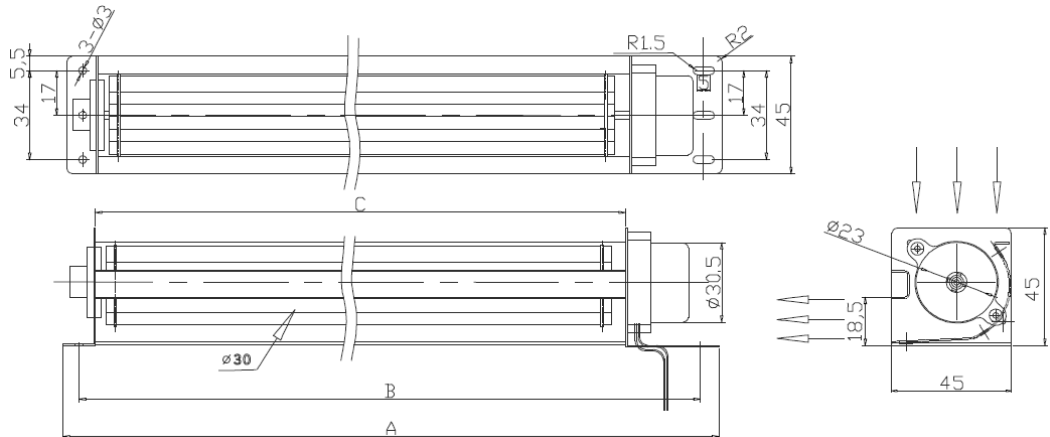
**Motor :** DC Single Phase Brushless Motor

**Material:** Frame: Steel / Impeller: Aluminum alloy

## P-Q Curves



## Drawing:



## SPECIFICATION

Model	Size (mm)			Voltage (V)	Current (A)	Speed (RPM)	Air Flow (CFM)	Pressure (in-H <sub>2</sub> O)	Noise (dB)
	A	B	C						
CDF1230090BM-C	145	132	98	12	0.10	3000	20.6	0.068	29
CDF2430090BM-C	145	132	98	24	0.05	3000	20.6	0.068	29
CDF1230150BM-C	207	194	160	12	0.12	2800	24.7	0.060	30
CDF2430150BM-C	207	194	160	24	0.07	2800	24.7	0.060	30
CDF1230190BM-C	245	232	198	12	0.14	2700	30.6	0.056	31
CDF2430190BM-C	245	232	198	24	0.08	2700	30.6	0.056	31



# 30 C Series

Model	Size (mm)			Voltage (V)	Current (A)	Speed (RPM)	Air Flow (CFM)	Pressure (in-H2O)	Noise (dB)
	A	B	C						
CDF1230250BM-C	295	282	248	12	0.16	2600	38.3	0.056	32
CDF2430250BM-C	295	282	248	24	0.09	2600	38.3	0.056	32
CDF1230290BM-C	347	334	300	12	0.18	2500	42.4	0.052	33
CDF2430290BM-C	347	334	300	24	0.09	2500	42.4	0.052	33
CDF1230350BM-C	399	386	352	12	0.20	2400	49.4	0.052	35
CDF2430350BM-C	399	386	352	24	0.10	2400	49.4	0.052	35

DC Cross Flow Fan



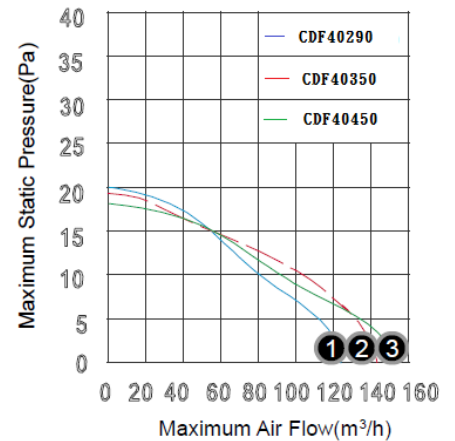
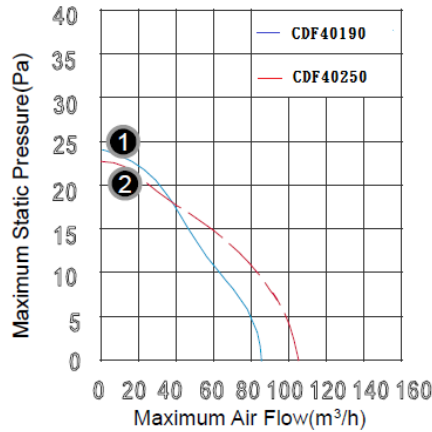
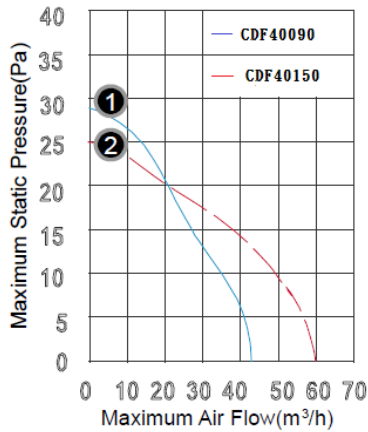
# 40 B Series



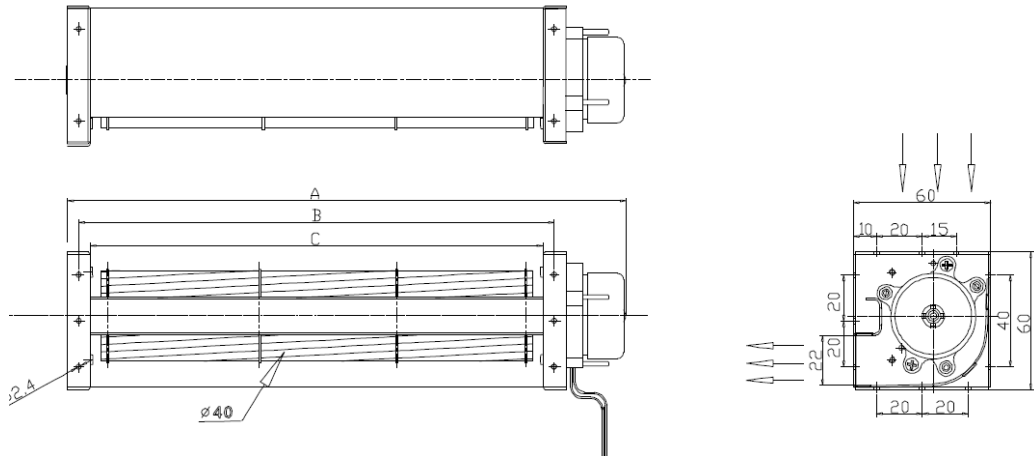
**Motor :** DC Single Phase Brushless Motor

**Material:** Frame: Steel / Impeller: Aluminum alloy

## P-Q Curves



## Drawing:



## SPECIFICATION

Model	Size (mm)			Voltage (V)	Current (A)	Speed (RPM)	Air Flow (CFM)	Pressure (in-H2O)	Noise (dB)
	A	B	C						
CDF1240090BM-B	145	108	98	12	0.12	3000	24.7	0.114	33
CDF2440090BM-B	145	108	98	24	0.07	3000	24.7	0.114	33
CDF1240150BM-B	210	170	160	12	0.18	2700	35.3	0.102	34
CDF2440150BM-B	210	170	160	24	0.10	2700	35.3	0.102	34
CDF1240190BM-B	230	208	198	12	0.20	2500	49.4	0.098	35
CDF2440190BM-B	230	208	198	24	0.12	2500	49.4	0.098	35

DC CROSS FLOW FAN



# 40 B Series

DC Cross Flow Fan

Model	Size (mm)			Voltage (V)	Current (A)	Speed (RPM)	Air Flow (CFM)	Pressure (in-H2O)	Noise (dB)
	A	B	C						
CDF1240250BM-B	300	260	250	12	0.23	2400	63.0	0.094	36
CDF2440250BM-B	300	260	250	24	0.13	2400	63.0	0.094	36
CDF1240290BM-B	352	310	300	12	0.26	2300	74.2	0.083	37
CDF2440290BM-B	352	310	300	24	0.14	2300	74.2	0.083	37
CDF1240350BM-B	417	358	348	12	0.29	2200	84.7	0.079	38
CDF2440350BM-B	417	358	348	24	0.16	2200	84.7	0.079	38
CDF1240450BM-B	472	430	420	12	0.32	2000	91.8	0.071	39
CDF2440450BM-B	472	430	420	24	0.17	2000	91.8	0.071	39



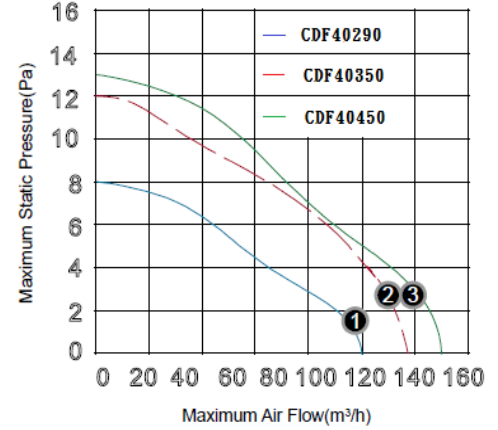
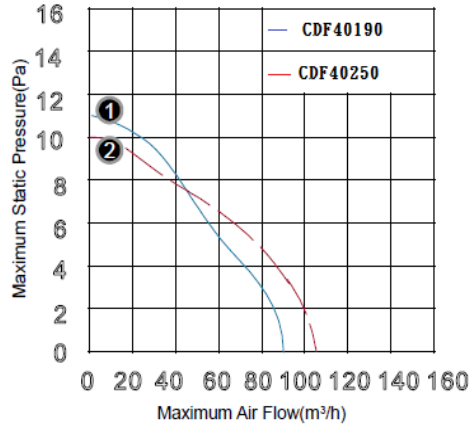
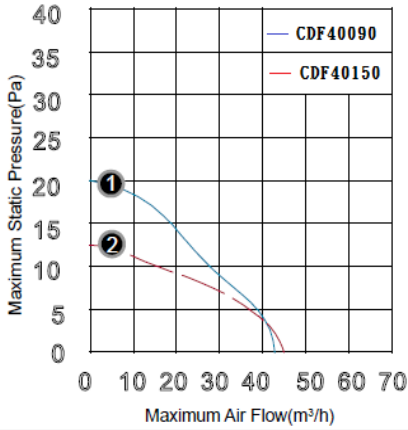
# 40 C Series



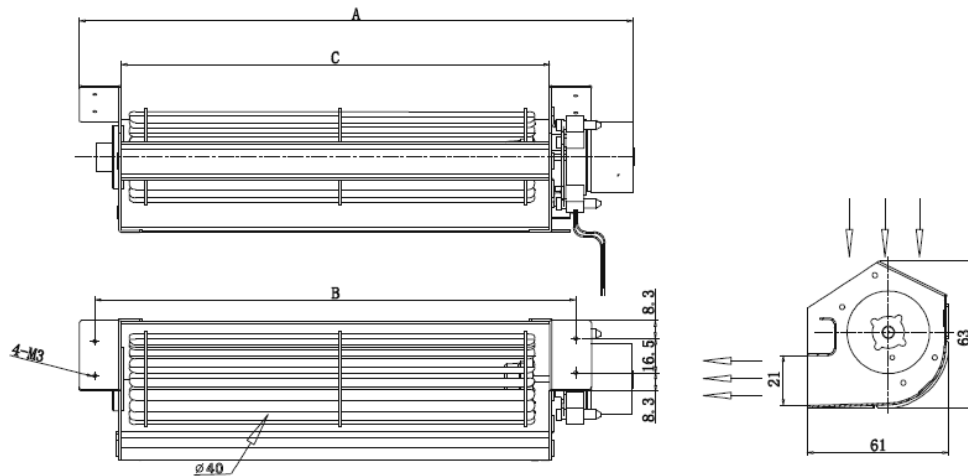
**Motor :** DC Single Phase Brushless Motor

**Material:** Frame: Steel / Impeller: Aluminum alloy

## P-Q Curves



## Drawing:



## SPECIFICATION

Model	Size (mm)			Voltage (V)	Current (A)	Speed (RPM)	Air Flow (CFM)	Pressure (in-H2O)	Noise (dB)
	A	B	C						
CDF1240090BM-C	167	121	98	12	0.12	3000	24.7	0.114	33
CDF2440090BM-C	167	121	98	24	0.07	3000	24.7	0.114	33
CDF1240150BM-C	229	183	160	12	0.18	2700	35.3	0.102	34
CDF2440150BM-C	229	183	160	24	0.10	2700	35.3	0.102	34
CDF1240190BM-C	267	221	198	12	0.20	2500	49.4	0.098	35
CDF2440190BM-C	267	221	198	24	0.12	2500	49.4	0.098	35

DC CROSS FLOW FAN





# 40 C Series

Model	Size (mm)			Voltage (V)	Current (A)	Speed (RPM)	Air Flow (CFM)	Pressure (in-H <sub>2</sub> O)	Noise (dB)
	A	B	C						
CDF1240250BM-C	319	273	250	12	0.23	2400	63.0	0.094	36
CDF2440250BM-C	319	273	250	24	0.13	2400	63.0	0.094	36
CDF1240290BM-C	369	323	300	12	0.26	2300	74.2	0.083	37
CDF2440290BM-C	369	323	300	24	0.14	2300	74.2	0.083	37
CDF1240350BM-C	417	371	348	12	0.29	2200	84.7	0.079	38
CDF2440350BM-C	417	371	348	24	0.16	2200	84.7	0.079	38
CDF1240450BM-C	489	443	420	12	0.32	2000	91.8	0.071	39
CDF2440450BM-C	489	443	420	24	0.17	2000	91.8	0.071	39



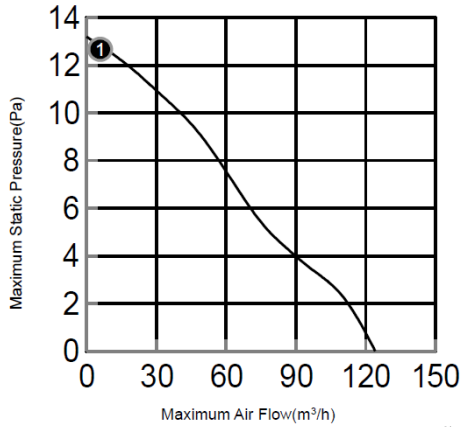
# 40 E Series



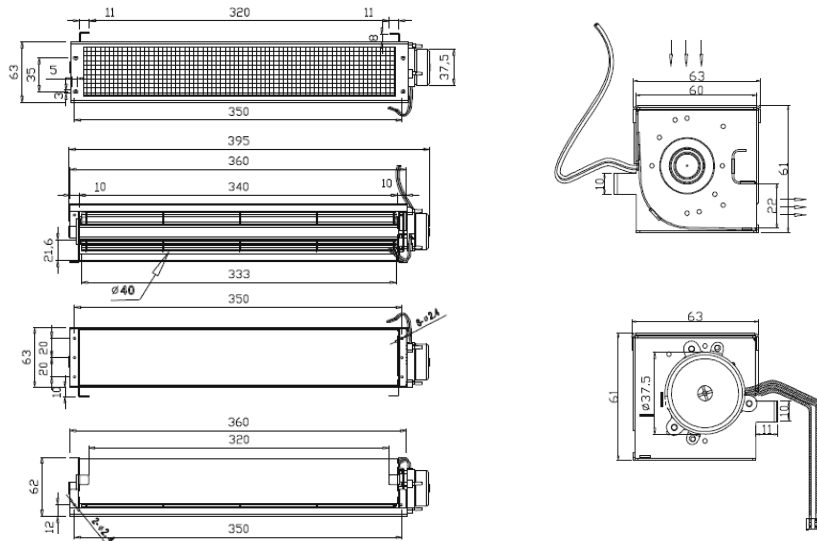
**Motor :** DC Single/Three Phase Brushless Motor

**Material:** Frame: Steel / Impeller: Aluminum alloy

## P-Q Curves



## Drawing:



## SPECIFICATION

Model	Size (mm)			Voltage (V)	Current (A)	Speed (RPM)	Air Flow (CFM)	Pressure (in-H2O)	Noise (dB)
	A	B	C						
CDF2440340BM-E	395	360	340	24	0.16	2200	35.3	0.050	34



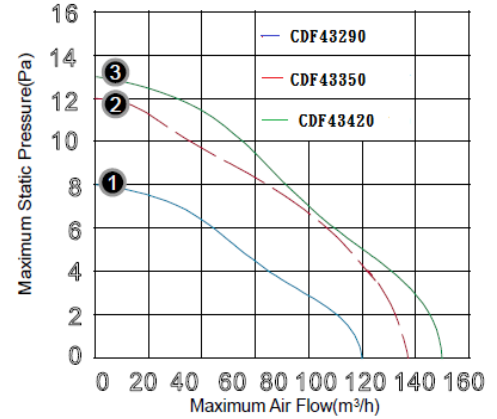
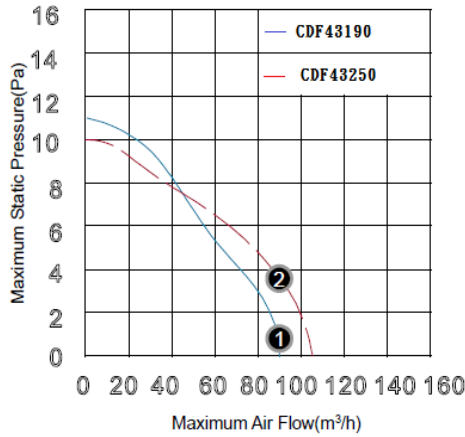
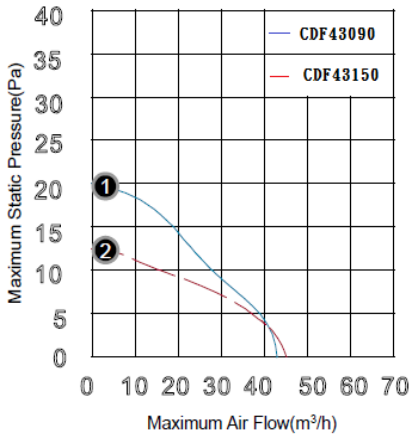
# 43 A Series



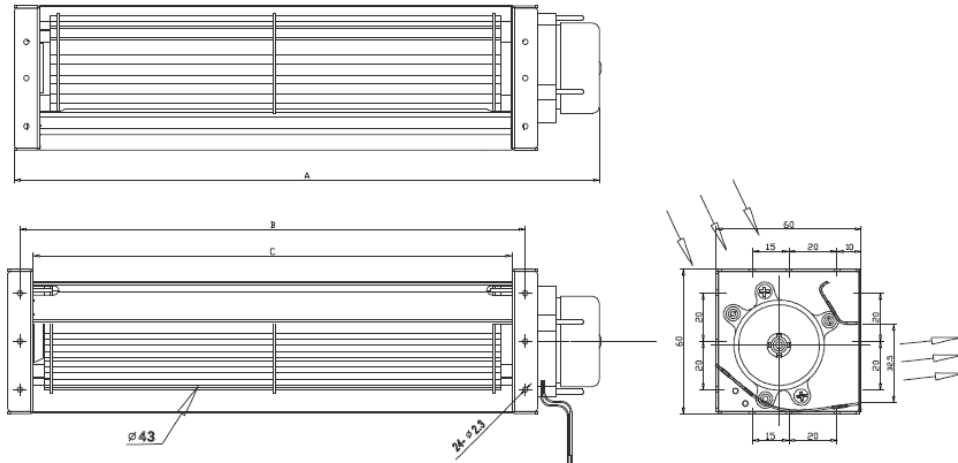
**Motor :** DC Single/Three Phase Brushless Motor

**Material:** Frame: Steel / Impeller: Aluminum alloy

## P-Q Curves



## Drawing:



## SPECIFICATION

Model	Size (mm)			Voltage (V)	Current (A)	Speed (RPM)	Air Flow (CFM)	Pressure (in-H2O)	Noise (dB)
	A	B	C						
CDF1243090BM-A	145	108	98	12	0.12	3000	25.3	0.079	36
CDF2443090BM-A	145	108	98	24	0.07	3000	25.3	0.079	36
CDF1243150BM-A	210	170	160	12	0.18	2700	44.1	0.047	37
CDF2443150BM-A	210	170	160	24	0.10	2700	44.1	0.047	37
CDF1243190BM-A	230	208	198	12	0.20	2500	55.9	0.043	39
CDF2443190BM-A	230	208	198	24	0.12	2500	55.9	0.043	39

DC CROSS FLOW FAN



# 43 A Series

Model	Size (mm)			Voltage (V)	Current (A)	Speed (RPM)	Air Flow (CFM)	Pressure (in-H2O)	Noise (dB)
	A	B	C						
CDF1243250BM-A	300	160	250	12	0.23	2400	60.0	0.039	40
CDF2443250BM-A	300	160	250	24	0.13	2400	60.0	0.039	40
CDF1243290BM-A	352	310	300	12	0.26	2300	70.6	0.031	41
CDF2443290BM-A	352	310	300	24	0.14	2300	70.6	0.031	41
CDF1243350BM-A	417	358	348	12	0.29	2100	81.2	0.047	41
CDF2443350BM-A	417	358	348	24	0.16	2100	81.2	0.047	41
CDF1243420BM-A	472	430	420	12	0.32	2000	88.3	0.051	38
CDF2443420BM-A	472	430	420	24	0.17	2000	88.3	0.051	38



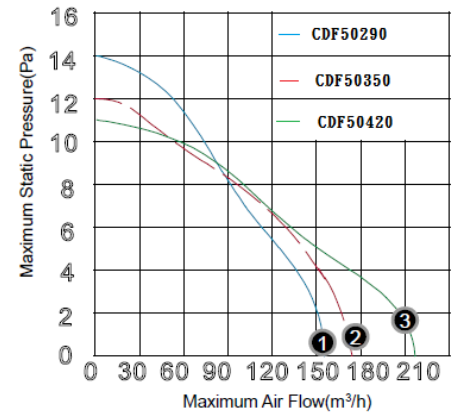
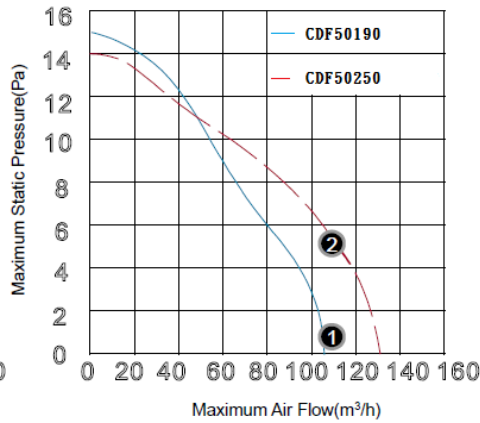
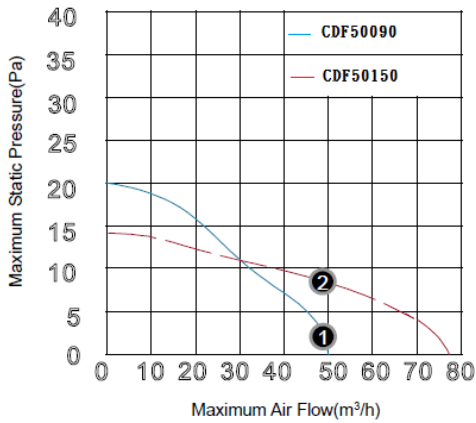
# 50 A Series



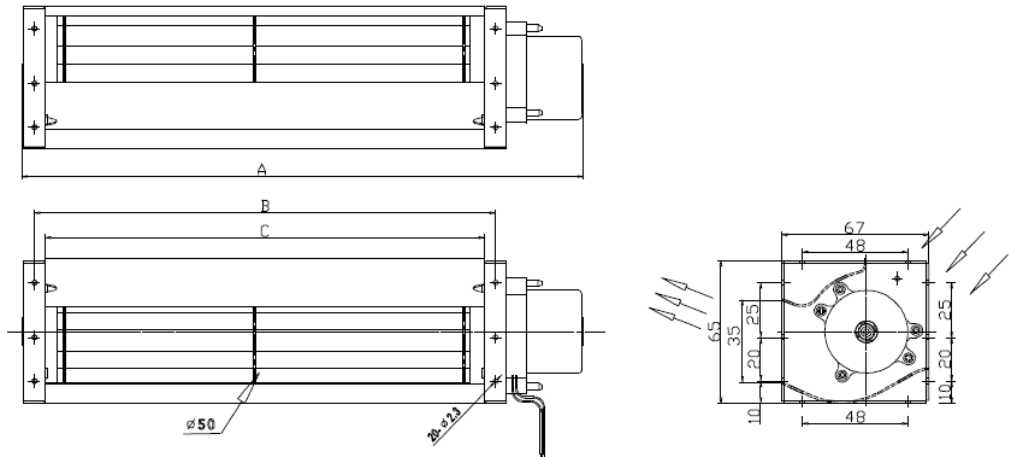
**Motor :** DC Single/Three Phase Brushless Motor

**Material:** Frame: Steel / Impeller: Aluminum alloy

## P-Q Curves



## Drawing:



## SPECIFICATION

Model	Size (mm)			Voltage (V)	Current (A)	Speed (RPM)	Air Flow (CFM)	Pressure (in-H2O)	Noise (dB)
	A	B	C						
CDF1250090BM-A	155	110	100	12	0.16	2700	17.7	0.076	38
CDF2450090BM-A	155	110	100	24	0.10	2700	17.7	0.076	38
CDF1250150BM-A	215	170	160	12	0.21	2500	26.5	0.052	39
CDF2450150BM-A	215	170	160	24	0.12	2500	26.5	0.052	39
CDF1250190BM-A	256	210	200	12	0.28	2600	36.5	0.056	41
CDF2450190BM-A	256	210	200	24	0.15	2600	36.5	0.056	41



# 50 A Series

Model	Size (mm)			Voltage (V)	Current (A)	Speed (RPM)	Air Flow (CFM)	Pressure (in-H2O)	Noise (dB)
	A	B	C						
CDF1250250BM-A	302	260	250	12	0.35	2500	47.1	0.052	42
CDF2450250BM-A	302	260	250	24	0.18	2500	47.1	0.052	42
CDF1250290BM-A	340	310	300	12	0.35	2500	53.6	0.052	43
CDF2450290BM-A	340	310	300	24	0.18	2500	53.6	0.052	43
CDF1250350BM-A	410	370	360	12	0.40	2400	61.8	0.052	44
CDF2450350BM-A	410	370	360	24	0.21	2400	61.8	0.052	44
CDF1250420BM-A	475	430	420	12	0.46	2300	71.2	0.048	46
CDF2450420BM-A	475	430	420	24	0.23	2300	71.2	0.048	46



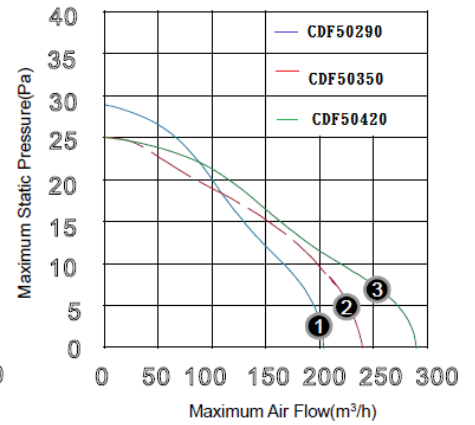
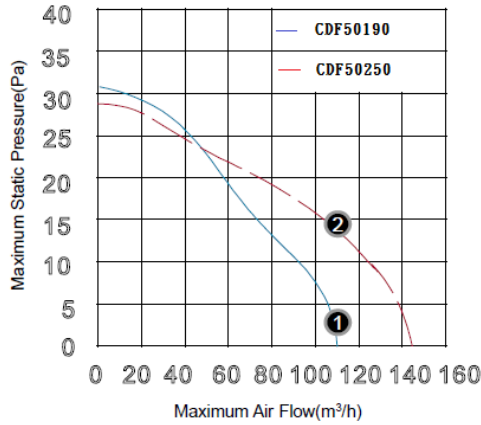
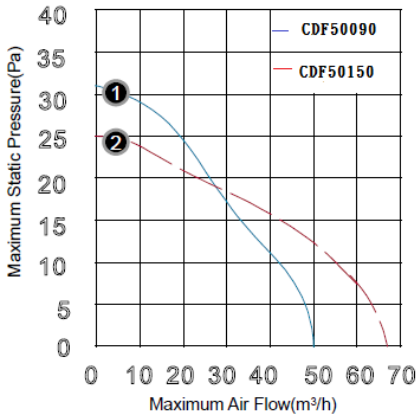
# 50 B Series



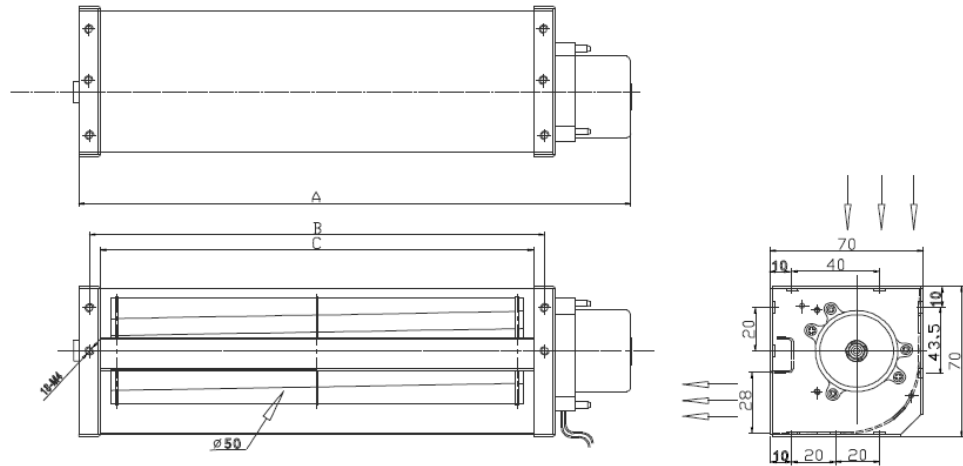
**Motor :** DC Single/Three Phase Brushless Motor

**Material:** Frame: Steel / Impeller: Aluminum alloy

## P-Q Curves



## Drawing:



## SPECIFICATION

Model	Size (mm)			Voltage (V)	Current (A)	Speed (RPM)	Air Flow (CFM)	Pressure (in-H2O)	Noise (dB)
	A	B	C						
CDF1250090BM-B	166	108	98	12	0.20	2500	29.4	0.126	36
CDF2450090BM-B	166	108	98	24	0.11	2500	29.4	0.126	36
CDF1250150BM-B	229	168	158	12	0.30	2100	39.4	0.102	33
CDF2450150BM-B	229	168	158	24	0.16	2100	39.4	0.102	33
CDF1250190BM-B	266	208	198	12	0.56	2600	63.6	0.126	45
CDF2450190BM-B	266	208	198	24	0.30	2600	63.6	0.126	45





# 50 B Series

Model	Size (mm)			Voltage (V)	Current (A)	Speed (RPM)	Air Flow (CFM)	Pressure (in-H2O)	Noise (dB)
	A	B	C						
CDF1250250BM-B	310	258	248	12	0.73	2450	84.2	0.118	45
CDF2450250BM-B	310	258	248	24	0.36	2450	84.2	0.118	45
CDF1250290BM-B	390	308	363	12	0.79	2300	120.6	0.110	46
CDF2450290BM-B	390	308	363	24	0.40	2300	120.6	0.110	46
CDF1250350BM-B	422	368	358	12	0.90	2200	140.1	0.102	46
CDF2450350BM-B	422	368	358	24	0.46	2200	140.1	0.102	46
CDF1250420BM-B	476	428	418	12	0.93	2200	170.7	0.102	47
CDF2450420BM-B	476	428	418	24	0.48	2200	170.7	0.102	47

DC Cross Flow Fan



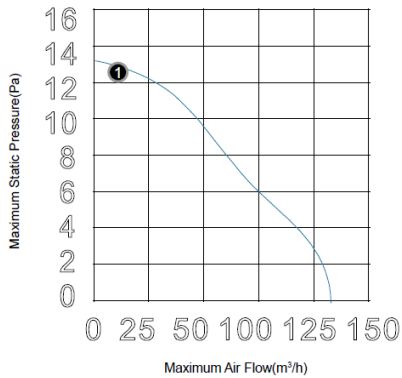
# 50 C Series



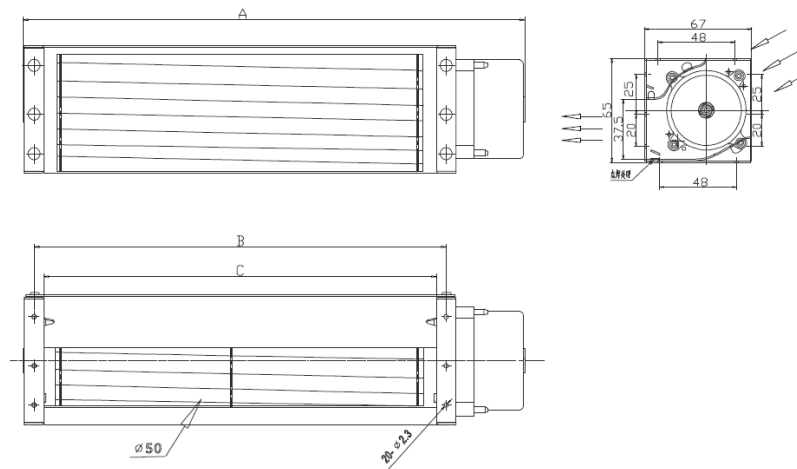
**Motor :** DC Single/Three Phase Brushless Motor

**Material:** Frame: Steel / Impeller: Aluminum alloy

## P-Q Curves



## Drawing:



## SPECIFICATION

Model	Size (mm)			Voltage (V)	Current (A)	Speed (RPM)	Air Flow (CFM)	Pressure (in-H2O)	Noise (dB)
	A	B	C						
CDF1250190BM-C	253	210	200	12	0.24	2600	91.8	0.071	46

DC CROSS FLOW FAN





# 60 F Series

Model	Size (mm)			Voltage (V)	Current (A)	Speed (RPM)	Air Flow (CFM)	Pressure (in-H2O)	Noise (dB)
	A	B	C						
CDF1260300BM-F	368	321	306	12	1.35	2100	113.0	0.157	45
CDF2460300BM-F	368	321	306	24	0.63	2100	113.0	0.157	45
CDF1260360BM-F	430	383	368	12	1.45	2000	124.8	0.150	46
CDF2460360BM-F	430	383	368	24	0.67	2000	124.8	0.150	46
CDF1260420BM-F	492	444	429	12	1.53	1900	149.5	0.134	47
CDF2460420BM-F	492	444	429	24	0.73	1900	149.5	0.134	47